

Deployment Options for CEL-FI QUATRA 100M

Single-Operator 5G Cellular DAS Solution for In-Building Public and Private 5G



The Nextivity CEL-FI QUATRA 100M is a flexible, enterprise-grade 5G DAS solution designed to support a wide range of deployment scenarios across large and complex environments. From enabling private 5G networks to supporting public operator services, QUATRA 100M can be tailored to meet the specific needs of each site. Its modular architecture allows it to be deployed as a standalone system, integrated alongside existing CEL-FI QUATRA 4000c installations, or scaled across multiple units to support multiple carriers within the same building. This flexibility ensures organizations can design and implement the right solution for their operational, connectivity, and coverage requirements.

This document outlines several deployment approaches for QUATRA 100M systems. The optimal configuration will vary based on building layout, available signal sources, and whether the objective is to support private networking, public carrier services, or a combination of both.

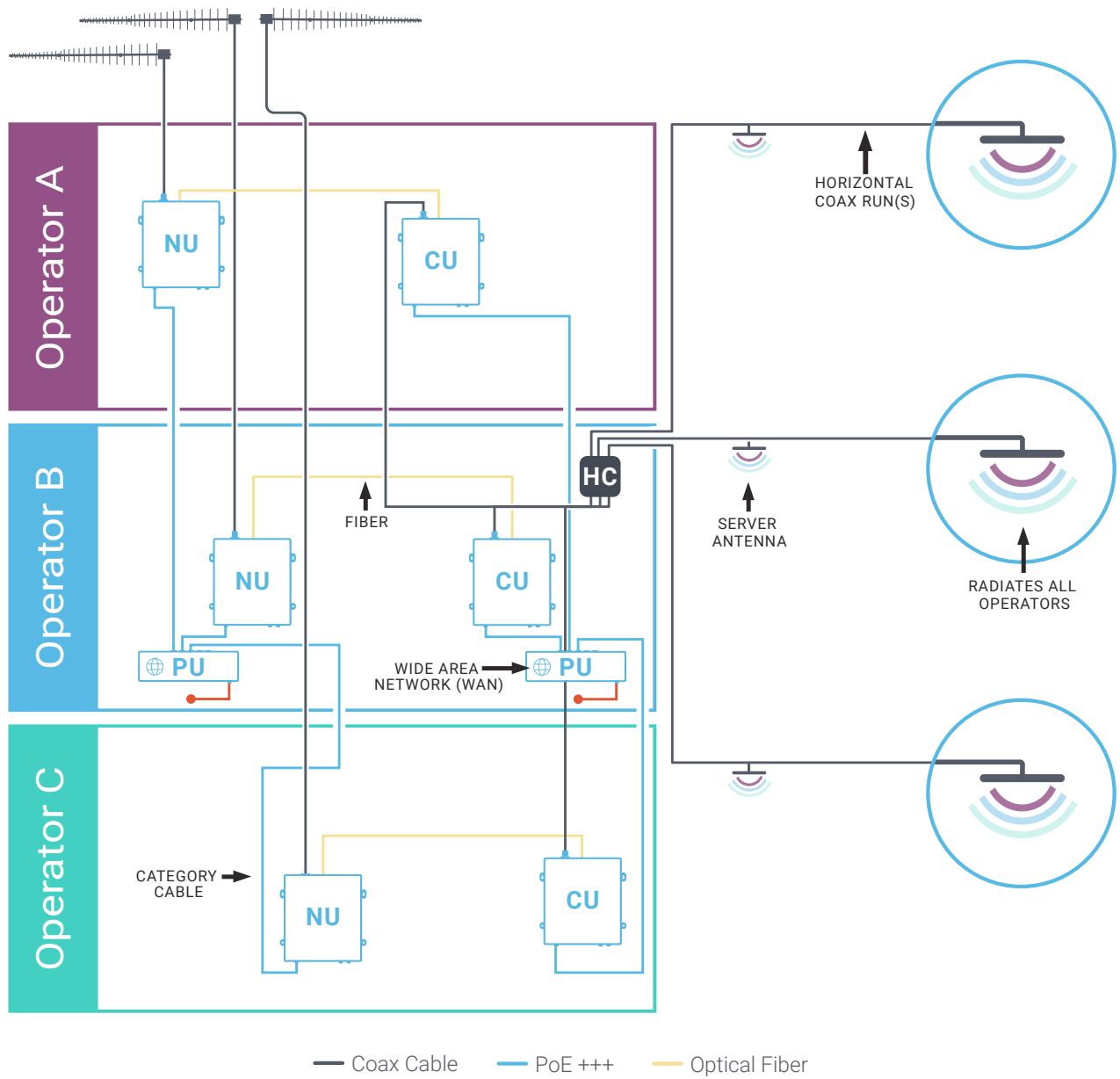
Installation Overview

QUATRA 100M utilizes a fiber-based architecture that enables efficient signal distribution and highly flexible system design. Coverage Units can be daisy-chained to extend reach across large areas while minimizing cabling complexity, allowing installers to tailor deployments to the unique layout and requirements of each building. This approach supports scalable, cost-effective installations that can adapt as needs evolve.

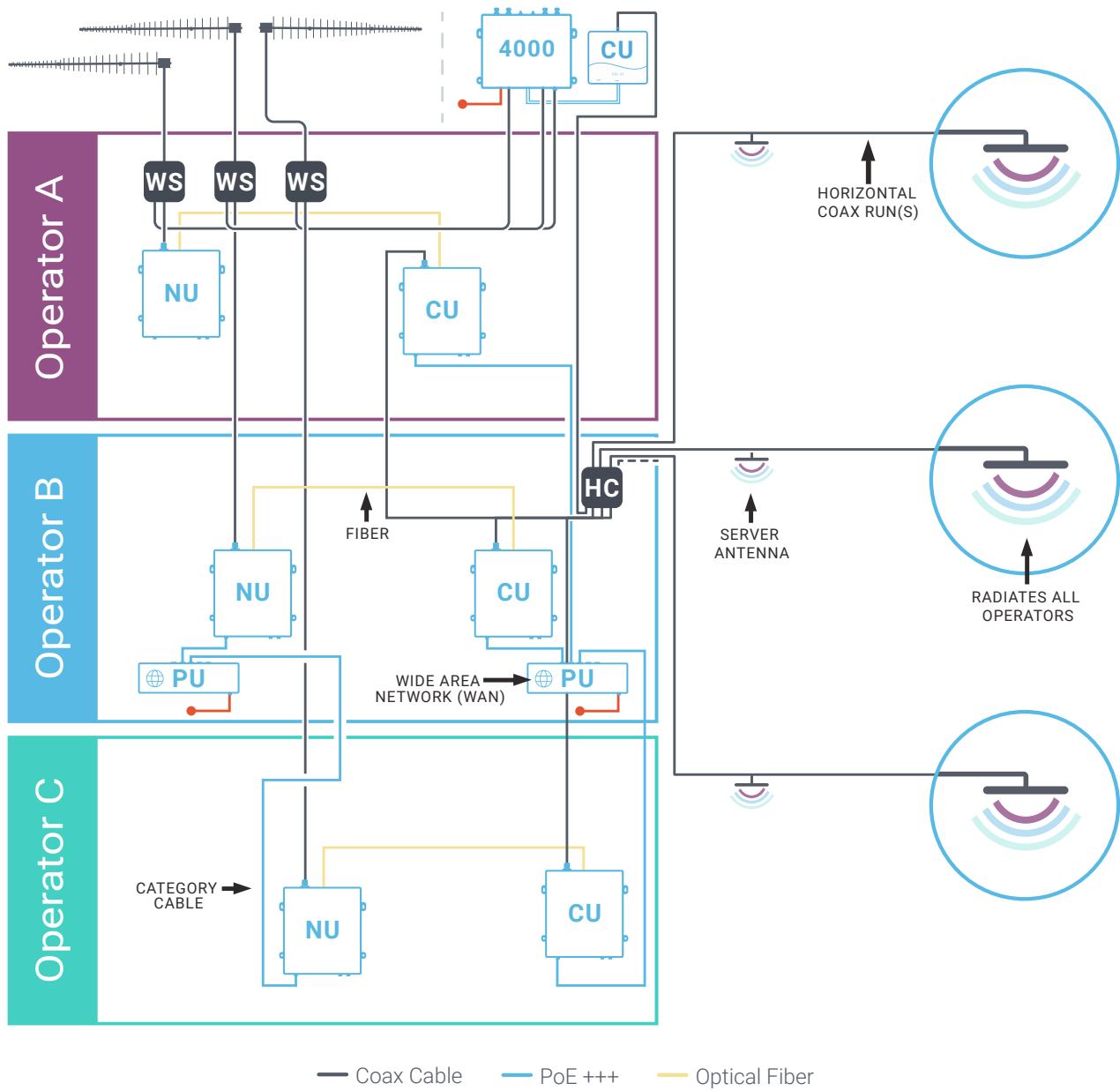


CEL-FI QUATRA 100M

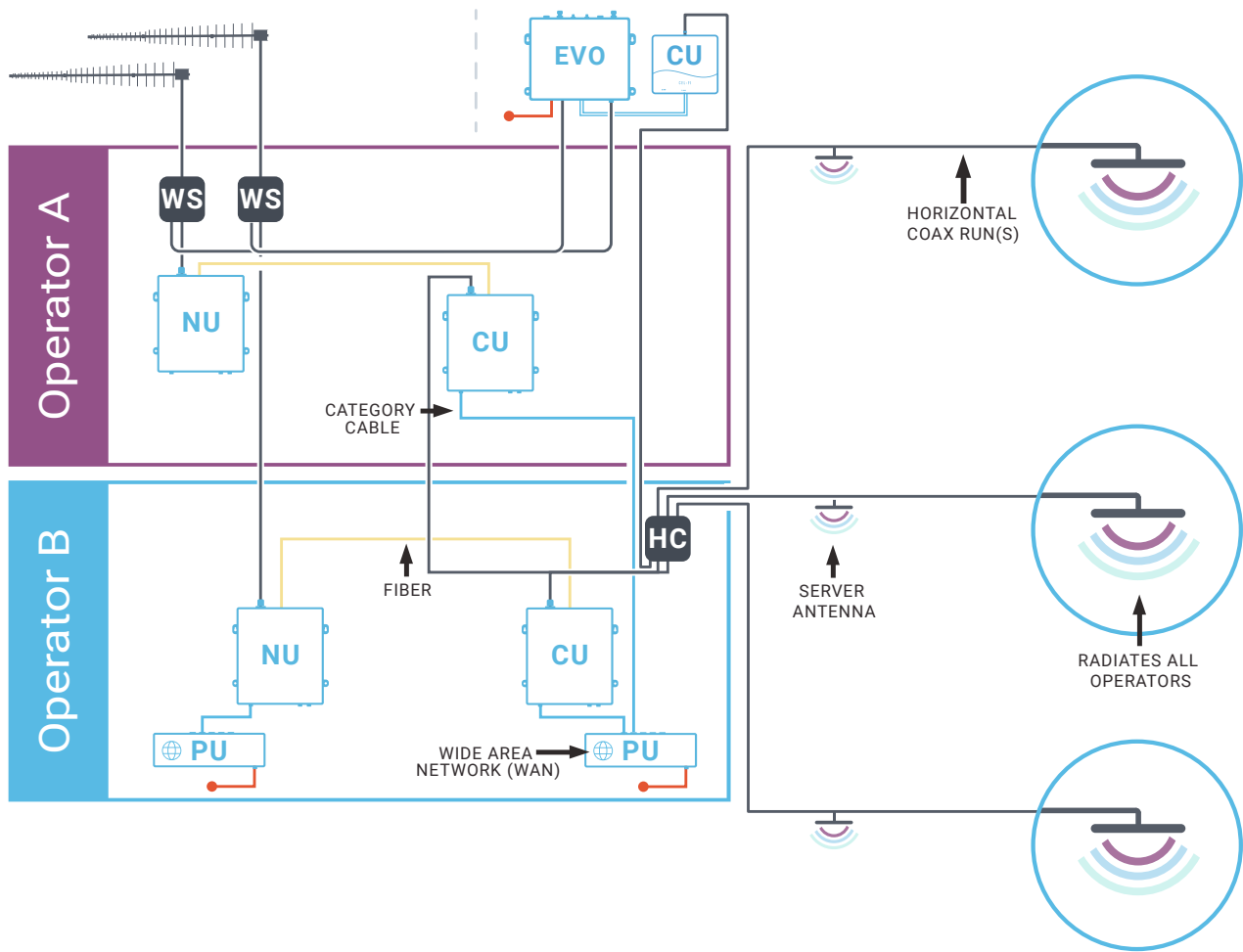
QUATRA 100M Neutral Host



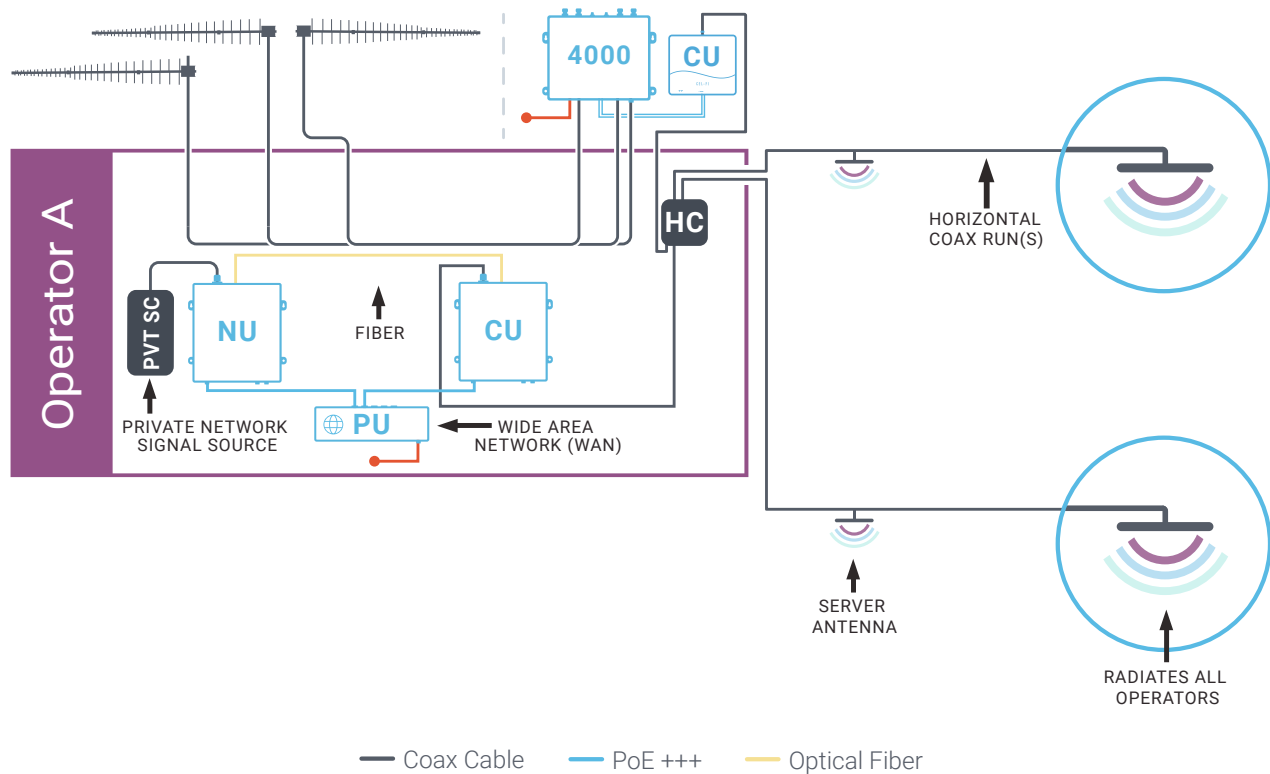
QUATRA 100M and 4000 Neutral Host



QUATRA 100M and EVO Dual Operator

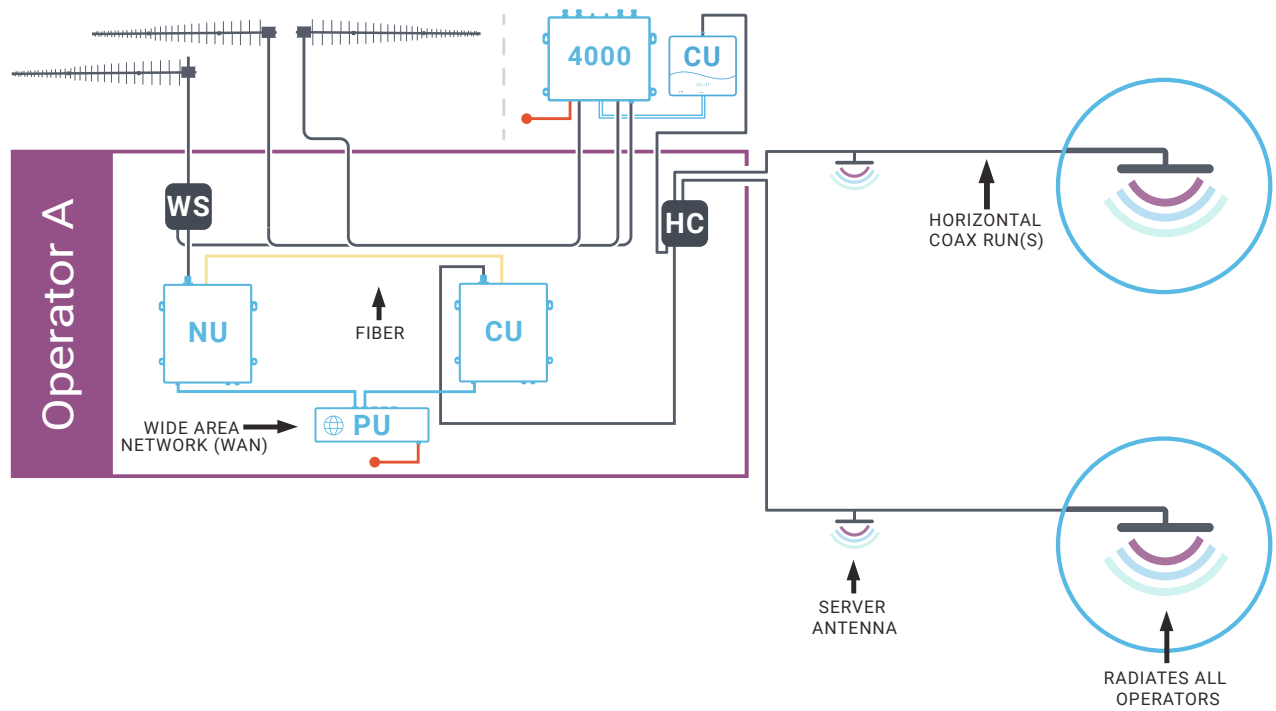


QUATRA 4000 and 100M Single Operator PVT

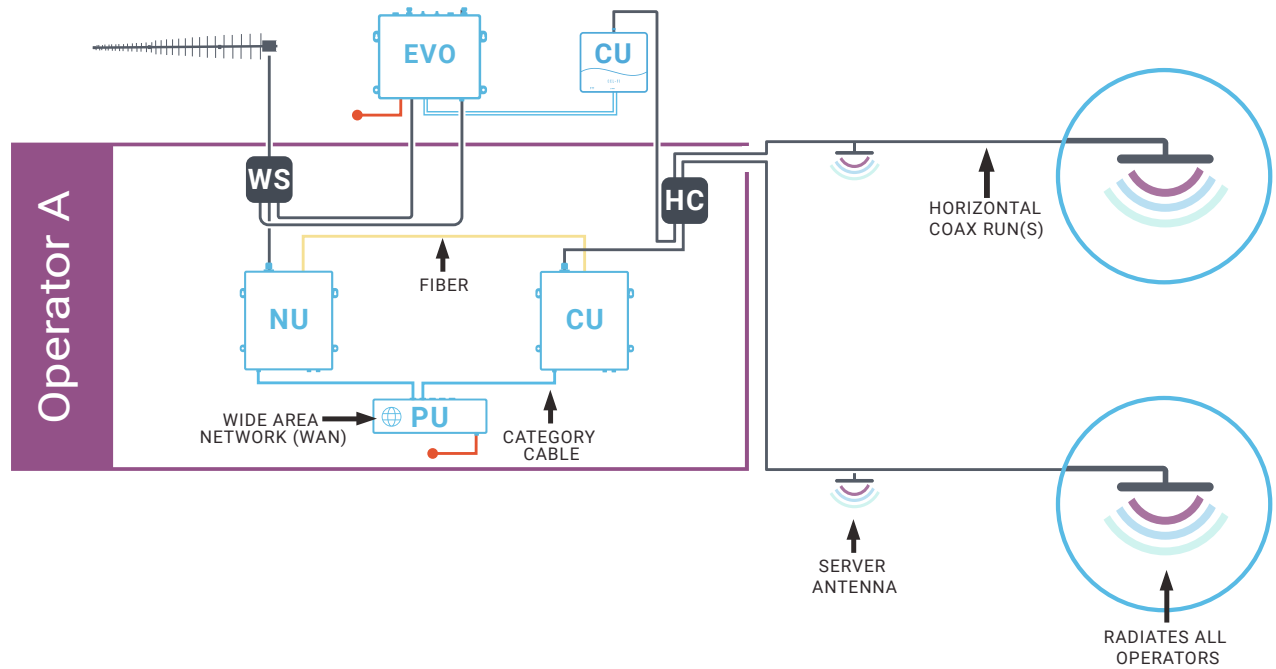


— Coax Cable — PoE +++ — Optical Fiber

QUATRA 4000 and 100M Single Operator C-band



QUATRA 100M and EVO Single Operator



— Coax Cable — PoE +++ — Optical Fiber

Unique to Nextivity

The CEL-FI QUATRA 100M stands out as a highly adaptable 5G enterprise DAS, giving organizations the flexibility to design deployments that align precisely with their connectivity and operational goals. Whether implemented as a standalone system, layered onto existing QUATRA infrastructure, or scaled across multiple units to support multiple carriers, QUATRA 100M enables a consistent, high-performance platform across diverse environments. Its modular architecture and support for both public and private 5G networks allow organizations to evolve their deployments over time—expanding coverage, adding capacity, or integrating new applications such as IoT and critical communications without re-architecting the system. This flexibility makes QUATRA 100M a future-ready solution for enterprises seeking to standardize and scale cellular connectivity across complex, multi-use spaces.