

CEL-FI GO G51

Single-Operator 5G Cellular Coverage Solution

 Ultra-Fast

 Auto-Configuration

 Remote Management

 Flexible Design



In-Building 5G for Small and Medium Spaces

Bringing the power of 5G indoors, the CEL-FI GO G51 is a compact, high-performance cellular coverage solution designed for small- to medium-sized buildings. Powered by Nextivity IntelliBoost® technology, GO G51 delivers reliable 4G LTE and 5G NR connectivity with support for mid-band 5G, enabling fast data speeds and low latency for everyday business operations.

This self-configuring system automatically adapts to network conditions, providing consistent, high-quality cellular performance across offices, retail locations, healthcare clinics, and light industrial environments. Take advantage of advanced connectivity to support modern applications such as mobile workforce productivity, point-of-sale systems, security communications, and connected building technologies.

With support for both 4G and 5G networks, GO G51 ensures seamless transitions between technologies while enabling organizations to adopt new services as networks evolve.

Global Flexibility with FirstNet Support in the U.S.

The CEL-FI GO G51 is designed for deployment across multiple regions, supporting a broad set of international frequency bands to enable consistent, high-performance connectivity worldwide. In the United States, it also supports AT&T FirstNet, delivering reliable, high-throughput connectivity for critical communications. This combination of global adaptability and public safety support makes GO G51 an ideal solution for organizations seeking a standardized, scalable approach to enhancing cellular connectivity across diverse locations.



CEL-FI GO-G51

Many Use Cases

- Small Manufacturing Sites
- Government Buildings
- Agriculture
- Parking Structures
- Single- or Multi-Level Office / Commercial Space
- Large Homes

IntelliBoost® Technology

Get the best gain and coverage footprint in the industry with performance that rivals much more expensive systems

Auto-Configuration

IntelliBoost® technology enables complete auto-configuration of all 5G system parameters

Remote Monitoring

Real-time system performance, routine maintenance and management functions via the Nextivity WAVE portal

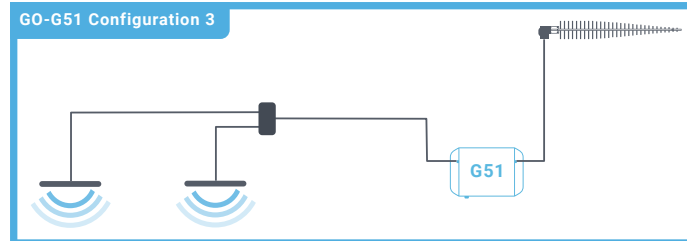
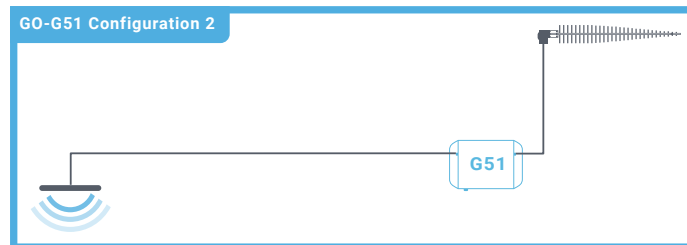
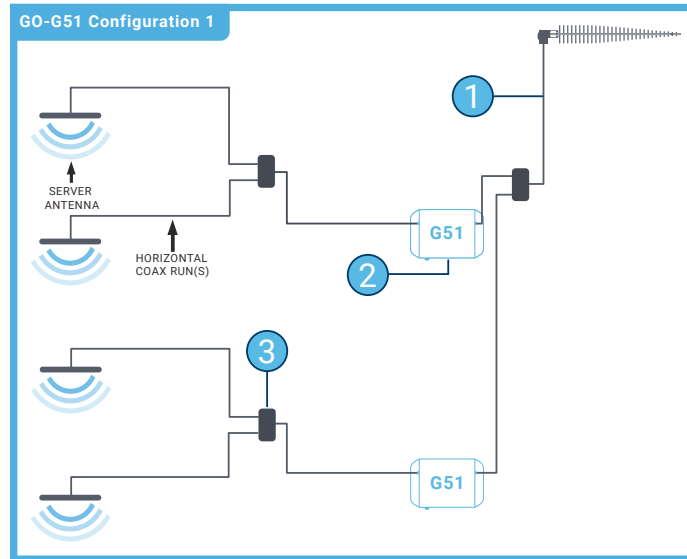
Simple, High Performance Deployment

CEL-FI GO G51 systems are engineered for simplicity, combining powerful performance with an easy-to-install, plug-and-play design that requires no manual configuration. Its self-optimizing capabilities eliminate the need for specialized tuning, enabling fast deployment and immediate operation. With high system gain and support for wide channel bandwidths, GO G51 delivers strong, consistent indoor connectivity in a compact footprint, ideal for a wide range of building types.

Remote monitoring and management through the Nextivity WAVE Portal and mobile app provide real-time visibility into system performance, allowing administrators and partners to easily maintain and optimize operation over time. This streamlined approach reduces installation complexity while ensuring reliable, network-safe performance.

CEL-FI GO G51, Installation Options

IntelliBoost[®]
Technology



- 1 Coax Cable (black)
- 2 Network Unit
- 3 2-way Splitter

Flexible Support for 4G, 5G, and FirstNet[®]

The CEL-FI GO G51 signal booster supports key cellular frequency bands, including n77, n78, 1, 2, 12, 14, 28 and many more around the world, enabling compatibility with major operator networks. The system supports dual-band relay operation, allowing simultaneous 4G LTE and 5G NR connectivity, and is configured to **Support FirstNet[®]** for critical communications applications.

With enterprise-grade performance, operator approval, and network-safe operation, GO G51 delivers trusted connectivity for business and public safety users alike. Its flexibility and ease of deployment make it an ideal solution for organizations seeking to enhance indoor cellular connectivity with a future-ready 5G platform.



nextivityinc.com/products/cel-fi-go-g51

