

LED Label	Status	Indication
PWR	ON	Powered ON
	OFF	Powered OFF
Signal Strength	Single/Dual/All	Weak/Normal/Strong
SYS	Blink	Normal Operation
	OFF	The modem is not working
Online	ON	The modem can access the internet
	OFF	The modem cannot access the internet
Alarm	ON	SIM Card is not inserted properly LTE Signal is too weak
	Blink	The modem could not register on the network.
	OFF	Normal Operatio
WAN	ON	WAN is connected
	OFF	WAN is not connected
LAN	Blink	Normal LAN operation
	OFF	LAN is not connected

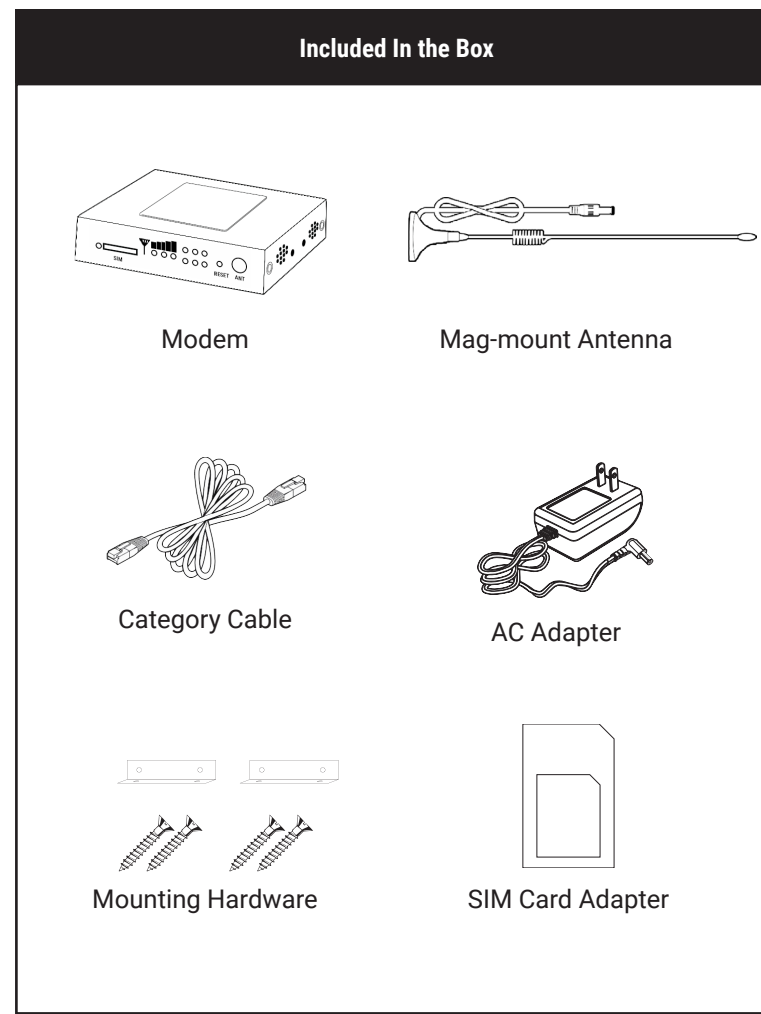
Copyright © 2022 by Nextivity, Inc, U.S. Patents pending. All rights reserved. The Nextivity and CEL-FI logos are registered trademarks of Nextivity Inc. All other trademarks or registered trademarks listed belong to their respective owners.

qsg-connect-c41\_eng\_22-1116

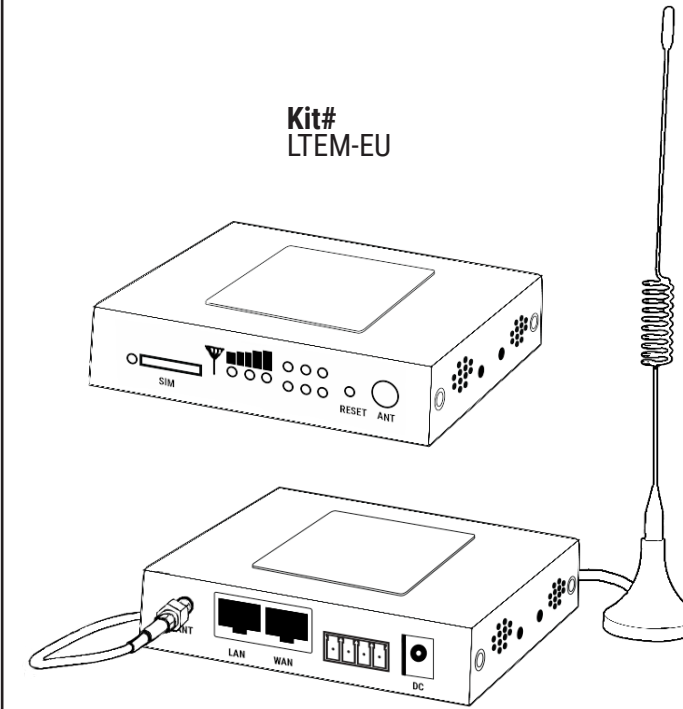
LED Label	Status	Indication
PWR	ON	Powered ON
	OFF	Powered OFF
Signal Strength	Single/Dual/All	Weak/Normal/Strong
SYS	Blink	Normal Operation
	OFF	The modem is not working
Online	ON	The modem can access the internet
	OFF	The modem cannot access the internet
Alarm	ON	SIM Card is not inserted properly LTE Signal is too weak
	Blink	The modem could not register on the network.
	OFF	Normal Operatio
WAN	ON	WAN is connected
	OFF	WAN is not connected
LAN	Blink	Normal LAN operation
	OFF	LAN is not connected

Copyright © 2022 by Nextivity, Inc, U.S. Patents pending. All rights reserved. The Nextivity and CEL-FI logos are registered trademarks of Nextivity Inc. All other trademarks or registered trademarks listed belong to their respective owners.

qsg-connect-c41\_eng\_22-1116



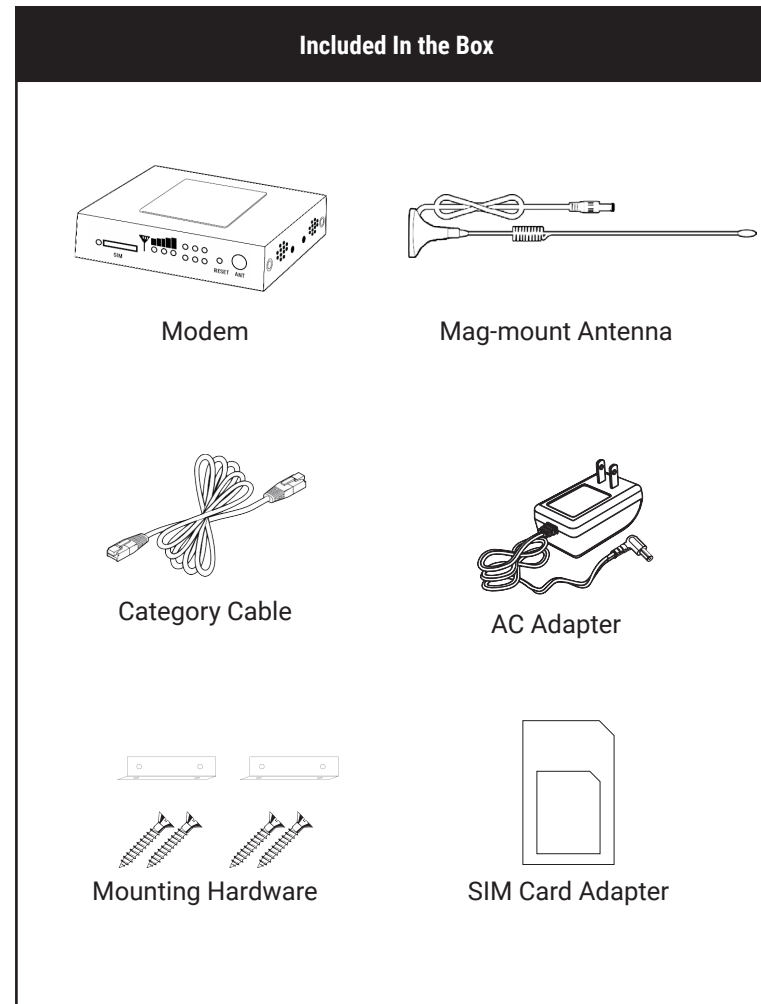
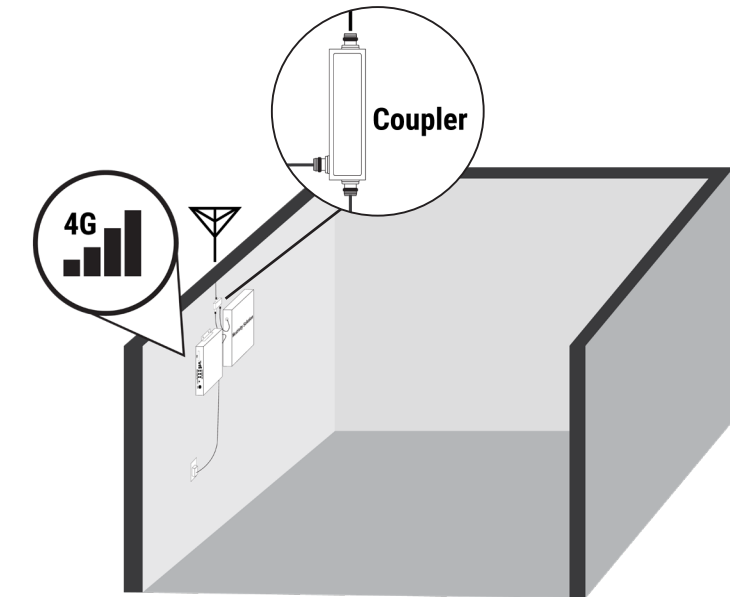
## CEL-FI<sup>®</sup> LTE Modem Quick Start Guide



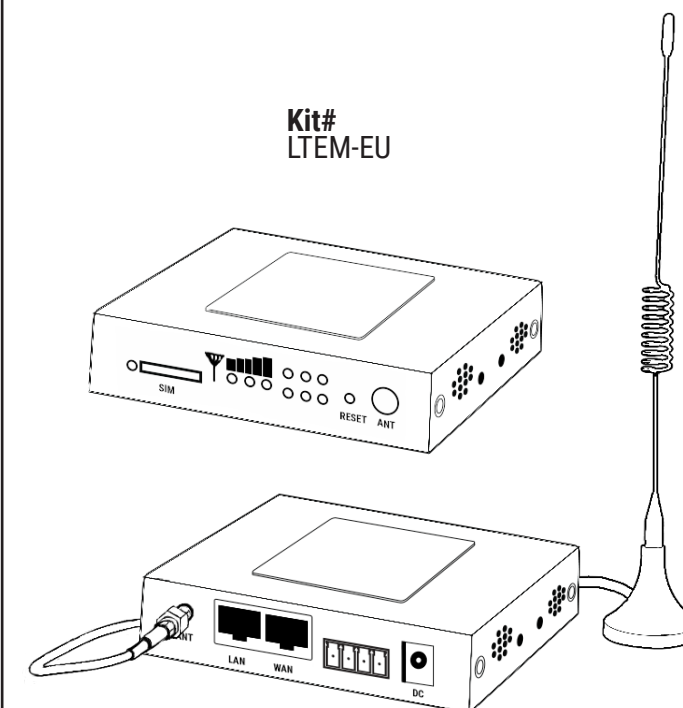
### 1 Select Modem Installation Location

The **Modem & Mag-Mount Antenna** must be installed where a strong LTE signal is available or adjacent to the CEL-FI GO/QUATRA device by coupling the CEL-FI donor antenna signal for the Modem. Install the modem on a wall at a suitable location using included **Mounting Hardware**

**Note:** Separate coupler and SMA(m-m) coaxial cable needed for installation configuration option 2.



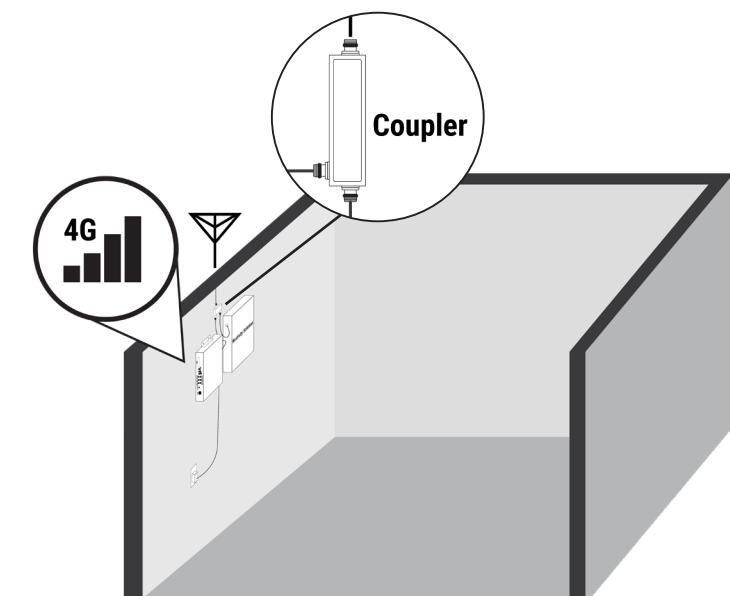
## CEL-FI<sup>®</sup> LTE Modem Quick Start Guide



### 1 Select Modem Installation Location

The **Modem & Mag-Mount Antenna** must be installed where a strong LTE signal is available or adjacent to the CEL-FI GO/QUATRA device by coupling the CEL-FI donor antenna signal for the Modem. Install the modem on a wall at a suitable location using included **Mounting Hardware**

**Note:** Separate coupler and SMA(m-m) coaxial cable needed for installation configuration option 2.

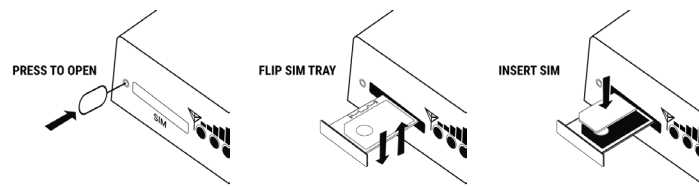


# Quick Installation

**IMPORTANT:** Your External Modem is an electronic device. It must be kept indoors and in a dry, cool, well-ventilated area.

## 2 Insert your SIM card

When the **Modem** is powered off, use sim card ejector to push the button adjacent to the SIM card tray to eject it. Place the SIM card in the tray with the chip facing up. Insert the SIM card tray with the SIM into the **Modem**. Make sure the SIM card tray is all the way in.



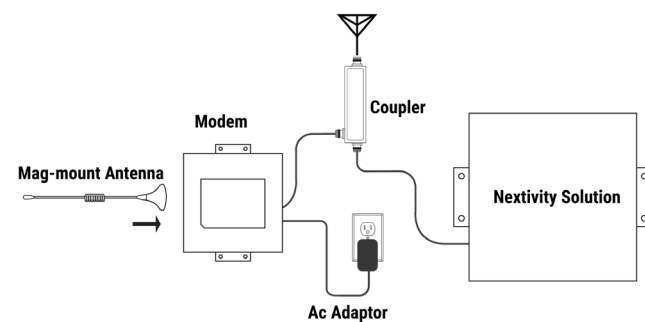
**Note:** The **Modem** can only be used with a standard SIM; hence, if you have a micro/nano SIM, please use the included **SIM Card Adapter**.

**Warning:** Do not install or swap the SIM card when the Modem is powered on.

## 3 Install the Cellular Antenna

Connect the included **Mag-mount Antenna** with the ANT SMA(f) port on the **Modem**.

**Alternate:** A coupler can be used unequally to split the donor antenna signal between the **Modem** and CEL-FI donor input.

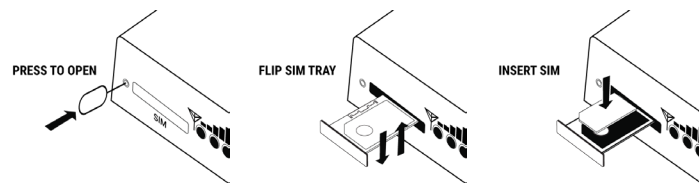


# Quick Installation

**IMPORTANT:** Your External Modem is an electronic device. It must be kept indoors and in a dry, cool, well-ventilated area.

## 2 Insert your SIM card

When the **Modem** is powered off, use sim card ejector to push the button adjacent to the SIM card tray to eject it. Place the SIM card in the tray with the chip facing up. Insert the SIM card tray with the SIM into the **Modem**. Make sure the SIM card tray is all the way in.



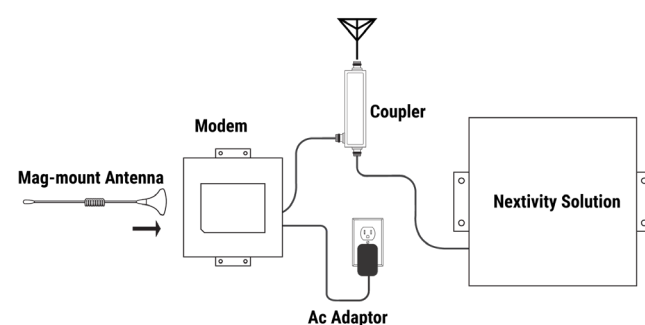
**Note:** The **Modem** can only be used with a standard SIM; hence, if you have a micro/nano SIM, please use the included **SIM Card Adapter**.

**Warning:** Do not install or swap the SIM card when the Modem is powered on.

## 3 Install the Cellular Antenna

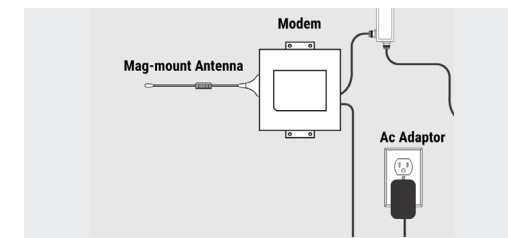
Connect the included **Mag-mount Antenna** with the ANT SMA(f) port on the **Modem**.

**Alternate:** A coupler can be used unequally to split the donor antenna signal between the **Modem** and CEL-FI donor input.



## 4 Power Supply

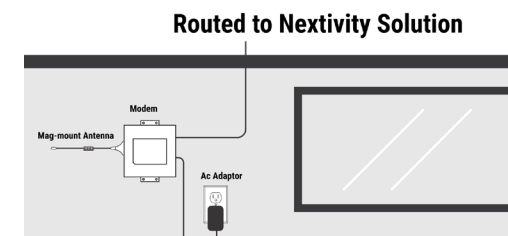
Power on the **Modem** by plugging in the included **AC adaptor**.



## 5 Connect the Nextivity Solution

Connect the LAN port on the modem with the LAN port on the Nextivity Solution using **Category Cable**.

If the **Modem** Online LED is solid ON, your CEL-FI GO/QUATRA device is now online. If not, the SIM may require custom APN and PIN settings. Continue to Step 5 to configure them in **Modem** settings in *Setup -> WAN*.

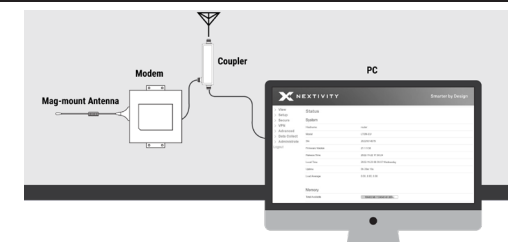


## 6 Change Modem login Password

Using a **Category Cable**, connect the **Modem** to your PC. Open the browser on your PC and input the IP address below with login credentials to access the **Modem** settings.

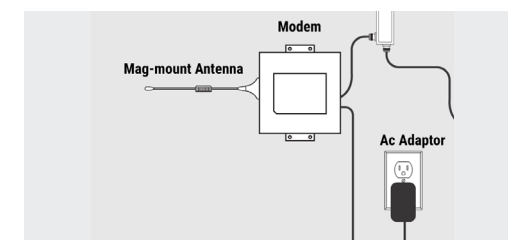
**IP Address:** 192.168.1.1  
**Default Password:** admin

**Note:** To prevent unauthorized access to the modem or disruption, ensure to change the password from default.



## 4 Power Supply

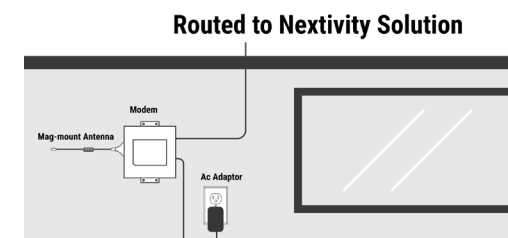
Power on the **Modem** by plugging in the included **AC adaptor**.



## 5 Connect the Nextivity Solution

Connect the LAN port on the modem with the LAN port on the Nextivity Solution using **Category Cable**.

If the **Modem** Online LED is solid ON, your CEL-FI GO/QUATRA device is now online. If not, the SIM may require custom APN and PIN settings. Continue to Step 5 to configure them in **Modem** settings in *Setup -> WAN*.



## 6 Change Modem login Password

Using a **Category Cable**, connect the **Modem** to your PC. Open the browser on your PC and input the IP address below with login credentials to access the **Modem** settings.

**IP Address:** 192.168.1.1  
**Default Password:** admin

**Note:** To prevent unauthorized access to the modem or disruption, ensure to change the password from default.

