

# CEL-FI CONNECT C41

## Self-Install Smart Signal Repeater

**MODEL NUMBERS:** C41-KB-00C, C41-JB-00C, C41-9B-00C

The CEL-FI CONNECT C41 solves the problem of poor cellular coverage by making it easy for businesses and homeowners to improve their 2G, 3G, 4G or 5G in-building reception. Combining plug-and-play operation with industry-leading performance, CONNECT C41 is designed to be set up and boost cellular signal within minutes. In addition to delivering signal gain up to 100 dB, the system is network safe, operator approved, and supports 5G NR operation.

### Features and benefits include:

- Deploy the unit anywhere in the network with full frequency coverage
- Latest 4th generation Nextivity proprietary IntelliBoost chip delivers channelized coverage for specific mobile network operators signals
- Support for 2G, 3G, 4G, and 5G and dynamic spectrum sharing (DSS)
- Ease of installation with plug-and-play operation



CEL-FI CONNECT C41



Use Nextivity **WAVE** App to view real-time system performance.



## Specifications

Frequency Bands	1/3/5/7/8/20/28L/40
Relay Channel Bandwidths (MHz)	5/10/15/20 MHz
Networks	2G/3G/4G/5G
Network Protocols	GSM/WCDMA/LTE/NR
Network Selection	Automatically best available (WAVE App for manual setting)
Duplex Modes	FDD & TDD
# of Relay Bands (MHz max.)	2
Relay Bandwidth (MHz max.)	20 + 20
Output Downlink Power (All Bands) (dBm max.)	0
Output Uplink Power (Bands 1/3/5/7/40) (dBm max.)	22
Output Uplink Power (Bands 8/20/28L) (dBm max.)	20
System Gain (dBm max.)	100
Enterprise-Grade Echo Cancellation (dB min.)	30
Noise Figure (dB max.)	7

## Bands

Frequency Bands	Downlink (MHz)	Uplink (MHz)	Max. Relay BW (MHz)
1	2110-2170	1920-1980	20
3	1805-1880	1710-1785	
5	869-894	824-849	
7	2620-2690	2500-2570	15
8	925-960	880-915	
20	791-821	832-862	
28L	758-788	703-733	20
40	2300-2390	2300-2390	

## Interface

Donor RF Connector	SMA (f)
Server RF Connector	SMA (f)
DC Input	5.5 x 2.5 mm (f) Barrel
Device Setup	Bluetooth for WAVE App
Power & System Status	Bi-color LED (Green/Red)
Factory Debug only	USB 2.0 Micro-B
System Management & SW Updates	WAVE App for iOS 11.0 or later WAVE App for Android WAVE Portal for Desktop

## Compliance

3GPP	TS 25.143 Rel 13 3GPP TS 36.143 Rel 13
CE	Compliant RED 2014/53/EU Cert fcate No NB01 080937 0029
RoHS3	EN 63000: 2018
OFCOM	VTS 2102
ACMA/RCM	AS/NZS CISPR, 32:2013
Bluetooth	LE Ver 4.2

## Power Supply

Power Consumption (W max.)	30
Power Supply Plug	Type C (EU) or Type I (AUS) or Type G (UK)
Power Supply Cable	18 AWG
Power Supply Cable Length (ft (m))	6 (3)

## Main & Donor Antenna

Service Bands	600, 700, 800, 850, 900	1700, 1800, 1900, 2000, 2100, 2300, 2500, 2600	3300, 3500, 3600, 3700
Return Loss (dB) Typ.	-9.5		
Gain (dBi) Typ.	5.5	8.0	7.0
Impedance (Ω) Nom.	50	50	
Polarization		Linear/Vertical	
Radiation Pattern		Directional	
Front to Back Ratio (dB min.)	9	15	11
Horizontal Beam Width (°)	85	65	50
Vertical Beam Width (°)	74	60	45
Input Power (W max.)		50	
Lightning Protection		DC Ground	
Connector		SMA (m)	
Antenna Cable		RG58	
Donor Antenna Cable Length (ft (m))		9.8 (3)	
Housing Material		PC/ABS UV Stable	
Housing Color		Housing Color White (RAL9003)	
Donor Antenna Dimensions (in (mm))		7.4 x 6.9 x 3.0 (187 x 176 x 77)	
Donor Antenna Cable Length (ft (m))		9.8 (3)	
Donor Antenna Weight (lbs. (kg))		1.5 (0.67)	

## Environmental

Operating Temperature (°F (°C))	32 to 104 (0 to 40)
Storage Temperature (°F (°C))	-31 to 158 (-35 to 70)
Heat Dissipation	Passive Convection
Surface Temperature (°F (°C) max. at ambient)	111.2 (44)
Non-condensing Humidity (%)	0 to 95
Ingress Protection Rating	IP20 Indoor Only

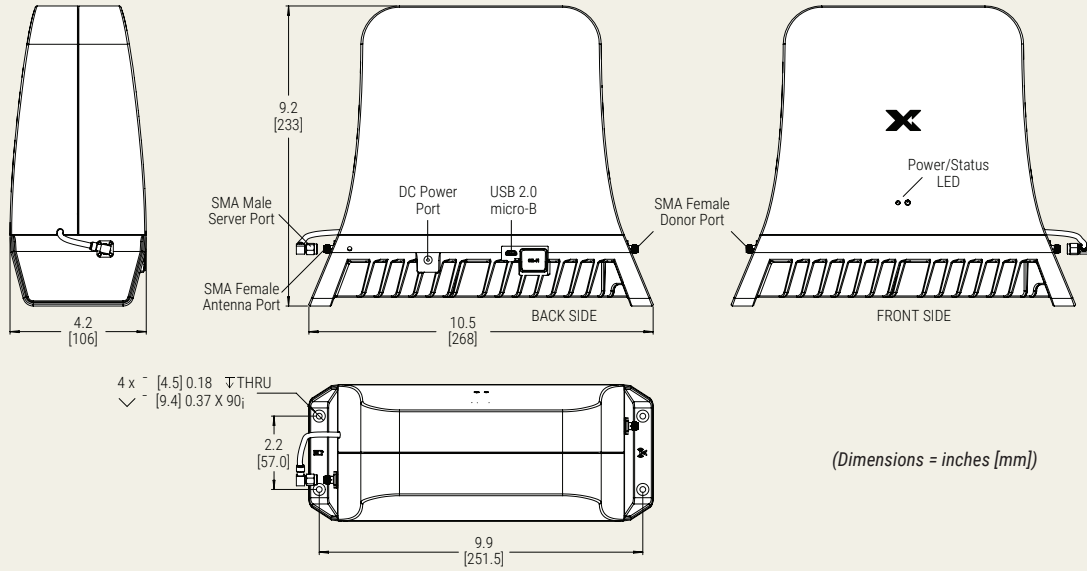
## Mechanical & Packaging

Box Contents	Main Unit with Integrated Server Antenna
	1x Donor Antenna (A52-FV3-300)
	1x AC/DC Wall Adapter
	4x Mounting Screws
	4x Drywall Anchors
	Quick Installation Guide
Main Unit Dimensions (in (mm))	10.5 x 9.2 x 4.2 (268 x 233 x 106)
Main Unit Weight (lbs (kg))	5.1 (2.3)
Kit Shipping Dimensions (in (mm))	11.6 x 11.1 x 9.1 (295 x 283 x 231)
Kit Shipping Weight (lbs (kg))	7.1 (3.2)

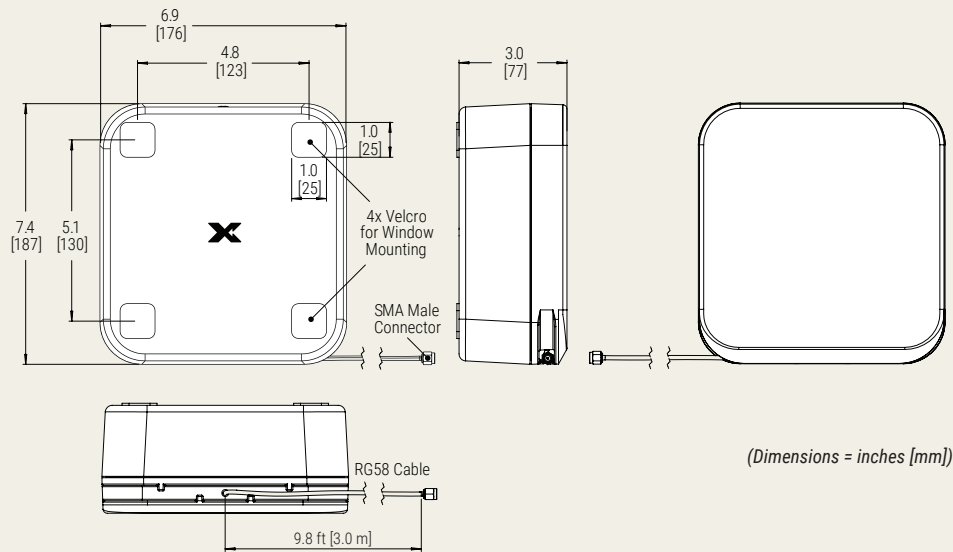
## Ordering Information

KIT#	C41-9B-00C	C41-JB-00C	C41-KB-00C
Regions	EMEA	APAC/EMEA	EMEA
Frequency Bands	1/3/7/8/20	1/3/5/7/8/28L/40	3/8/20
Dual Relay Bands	1 3 7	1 3	3

## CEL-FI CONNECT C41 Main Unit Outline



## Donor Antenna Outline



Product specifications are subject to change without prior notification.