



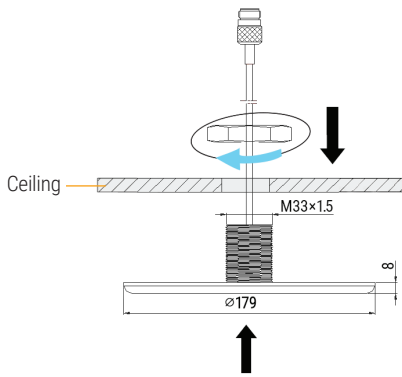
Cel-Fi™ LP SISO Indoor Omni Antenna

Smart Cellular Coverage



Model#: A11-H43-201

Nextivity's Cel-Fi LP SISO Indoor Omni Antenna provides a 360 degree horizontal coverage pattern in an ultra-modern, low-profile, high-performance industrial design.



FEATURES

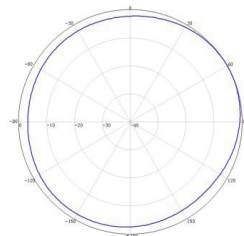
- Indoor use
- SISO
- 50 ohm
- 617–4000 MHz
- N-type connector (other options available)
- Ultra low-profile

ELECTRICAL SPECIFICATIONS

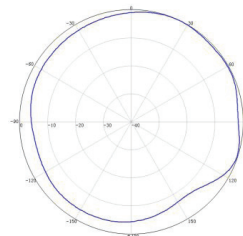
Frequency range (MHz)	617–960	1710–2700	3300–4000
Polarization	Linear, Horizontal		
Gain (dBi) Max	3	4	5
VSWR	≤1.5		
Azimuth Beam Width	360°, Omni-directional		
Impedance	50 ohm		
Intermodulation IM3 (2×43 dBm carrier)	≤-150		
Maximum Power	50W		

MECHANICAL SPECIFICATIONS

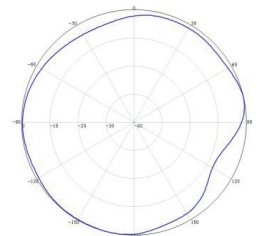
Connector	N-Female
Connector Position	Bottom
Height/Width/Depth	Φ179×8 mm
Packing Size	195×195×75 mm
Weight	220±10 g
Radome Material	ABS
Radome Color	White (RAL 9003)
Operating Temperature	-40–60°C
Mounting	Fixed with nut



617–960 MHz



1710–2700 MHz



3300–4000 MHz

Copyright © 2020 by Nextivity, Inc., U.S. All rights reserved. The Nextivity and Cel-Fi logos are registered trademarks of Nextivity Inc. All other trademarks or registered trademarks listed belong to their respective owners. Designed by Nextivity in California. brief-lp-siso-indoor-omni_20-0421



U.S. Headquarters: Nextivity Inc.

16550 West Bernardo Drive, Bldg. 5, Suite 550, San Diego, CA 92127, USA
+1 858.485.9442 tel • +1 858.485.9445 fax

cel-fi.com/antennas